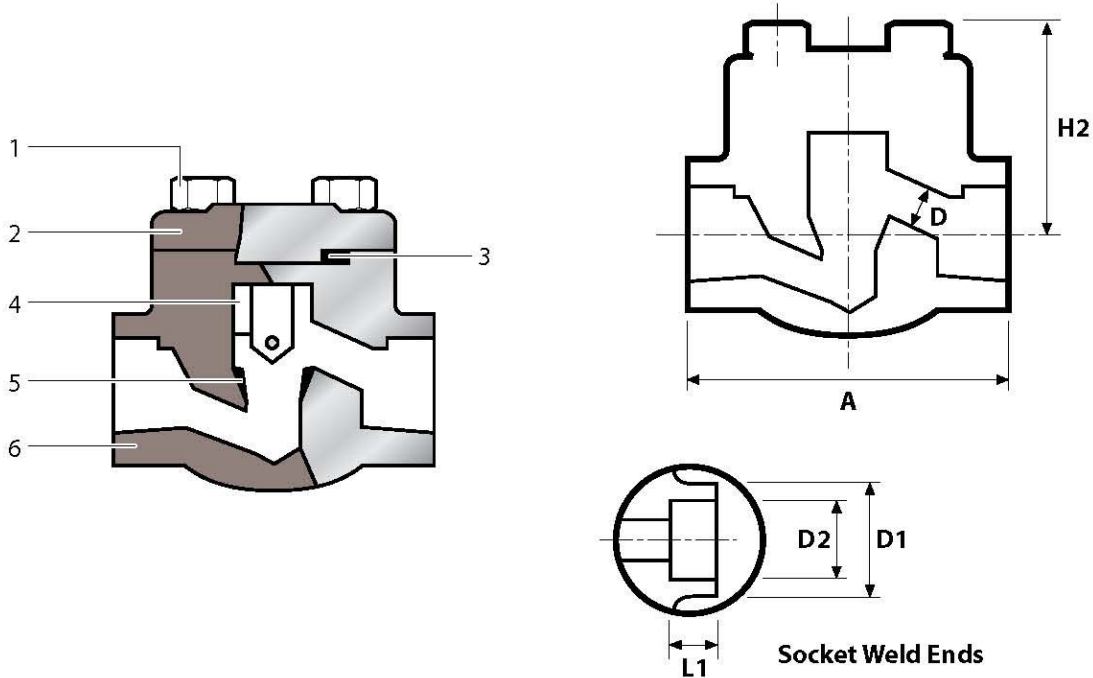




Forged Steel Piston Check Valves

Class 800

3/8" - 2"



BILL OF MATERIAL

NO	NAME OF PART	MATERIAL
1	BOLT	ASTM A193 B7
2	COVER	ASTM A105 - Also available in F5, F11, F304, F316, F51, F53, F347, and F321
3	GASKET	GRAPHITE
4	DISC	ASTM A276 420
5	SEAT	INTEGRAL+HF
6	BODY	ASTM A105 - Also available in F5, F11, F304, F316, F51, F53, F347, and F321

DIMENSIONS OF SOCKET WELD ENDS

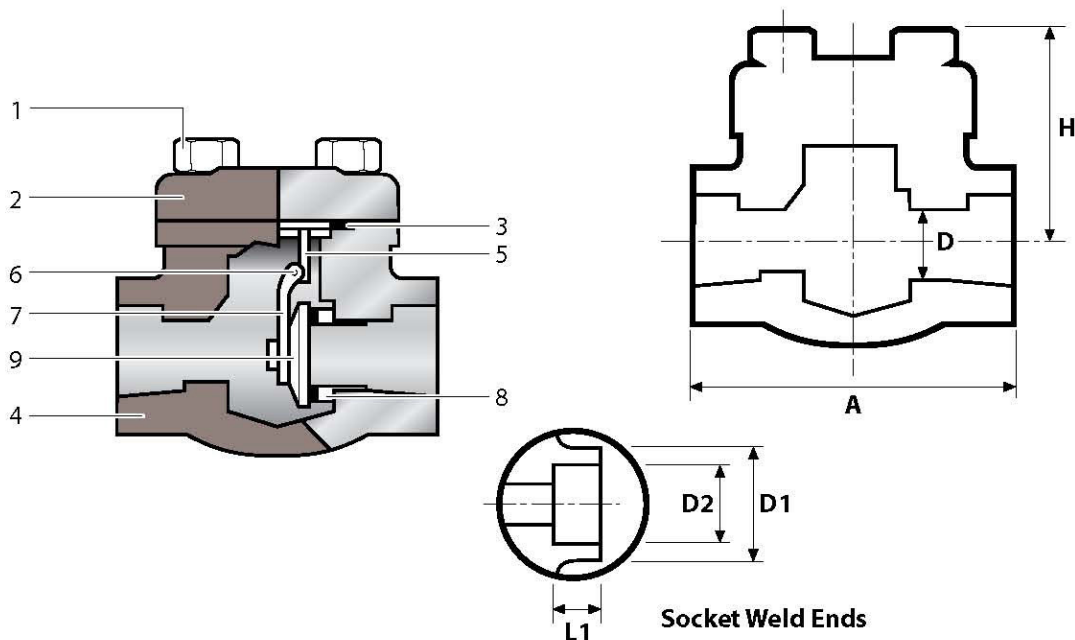
VALVE SIZE	in	.375	.5	.75	1	1.25	1.5	2	VALVE SIZE	in	.375	.5	.75	1	1.25	1.5	2
	mm	10	13	19	25	32	38	51		mm	10	13	19	25	32	38	51
D	in	.39	.51	.71	.94	1.14	1.44	1.83	L1	in	.38	.38	.5	.5	.5	.5	.63
	mm	10	13	18	24	29	36.5	46.5		mm	9.6	9.6	12.7	12.7	12.7	12.7	15.9
D1	in	1.34	1.34	1.57	1.89	2.52	2.52	3.07	A	in	3.11	3.62	4.37	4.72	5.98	6.8	7.8
	mm	34	34	40	48	64	64	78		mm	79	92	111	120	120	140	178
D2	in	.69	.86	1.07	1.33	1.68	1.92	2.41	H2	in	6.22	6.46	7.64	8.70	9.61	11.10	12.99
	mm	17.6	21.8	27.1	33.8	42.6	48.7	61.1		mm	158	164	194	221	244	282	330



Forged Steel Swing Check Valves

Class 800

3/8" - 2"



BILL OF MATERIAL

NO	NAME OF PART	MATERIAL
1	BOLT	ASTM A193 B7
2	COVER	ASTM A105 - Also available in F5, F11, F304, F316, F51, F53, F347, and F321
3	GASKET	GRAPHITE
4	BODY	ASTM A105 - Also available in F5, F11, F304, F316, F51, F53, F347, and F321
5	SUPPORTER	AISI 304
6	HINGE PIN	ASTM A276 410
7	HINGE	ASTM A217 CA15
8	SEAT RING	ASTM A276 410+HF
9	DISC	ASTM A743 CA40

DIMENSIONS OF SOCKET WELD ENDS

DIMENSIONS

VALVE SIZE	in	.375	.5	.75	1	1.25	1.5	2	VALVE SIZE	in	.375	.5	.75	1	1.25	1.5	2
	mm	10	15	20	25	32	40	50		mm	10	15	20	25	32	40	50
D	in	.39	.51	.71	.94	1.14	1.44	1.83	L1	in	.38	.38	.5	.5	.5	.5	.63
	mm	10	13	18	24	29	36.5	46.5		mm	9.6	9.6	12.7	12.7	12.7	12.7	15.9
D1	in	1.34	1.34	1.57	1.89	2.52	2.52	3.07	A	in	3.11	3.62	4.37	4.72	4.72	5.51	6.69
	mm	34	34	40	48	64	64	78		mm	79	92	111	120	120	140	170
D2	in	.69	.86	1.07	1.33	1.68	1.92	2.41	H2	in	6.22	6.46	7.64	8.70	9.61	11.10	12.99
	mm	17.6	21.8	27.1	33.8	42.6	48.7	61.1		mm	158	164	194	221	244	282	330